



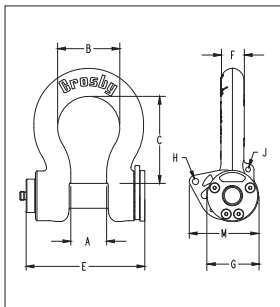
ROV



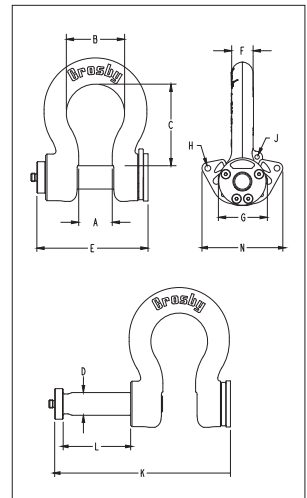
**G-2100**  
Release & Retrieve  
ROV Shackle with  
QUIC-Thread Bolt



**G-2110**  
Release & Retrieve  
ROV Shackle with  
Non - Thread Bolt



- Forged alloy bow with an industry best 6 to 1 performance design factor.
- Patented captured bolt can withstand over 907 kg (2,000 lb) of pull-out force.
- Galvanized bow with an API RP 17H color compliant coating.
- Galvanized alloy bolt (non-threaded) (G-2110)
- On average, QUIC-Thread bolt requires only 3.5 rotations for full engagement (G-2100)
- Raised pad for serialization.
- API RP 17H compliant 316 stainless steel handles available in T, D, F, and Eye models (sold separately).
- Built in eyelets for optional tether points.
- Monkey fist(s) included.
- Capacities from 9.5t through 85t.
- Forged steel, Quenched & Tempered, with alloy pins.
- Working Load Limit permanently shown on every shackle.
- QUIC-CHECK® deformation and angle indicators forged on the bow.



**G-2100 ROV Release & Retrieve Shackle – QUIC-Threaded**

Working Load Limit (t)*	Stock No.	Weight Each (kg)	Dimensions (mm)											
			A	B	C	D	E	F	G	H	J	K	L	N
9.5	2038739	5.1	46.0	73.9	108	31.8	186	29.5	2.68	11.2	7.9	293	107	97.3
12	2038762	6.2	51.6	82.6	119	35.1	197	32.8	3.00	11.2	7.9	311	114	101
17	2038785	10.7	60.5	98.6	146	41.4	217	38.9	3.62	12.7	7.9	349	132	126
25	2038614	17.5	73.2	127	178	50.8	242	46.7	4.20	12.7	9.7	393	151	141
35	2038808	23.3	82.6	146	197	57.9	264	52.8	4.82	12.7	9.7	431	167	149
55	2038831	49	105	184	266	70.6	320	69.1	5.81	12.7	9.7	527	207	191
85	2038877	71	127	200	330	83.3	361	79.2	6.50	12.7	12.7	600	238	199

6:1 Design Factor. \*Note: Maximum Proof Loads are 2xWLL in metric tons.

**G-2110 ROV Release & Retrieve Shackle – Non-Threaded**

Working Load Limit (t)*	Stock No.	Weight Each (kg)	Dimensions (mm)											
			A	B	C	D	E	F	G	H	J	K	L	N
9.5	2038740	5.2	46.0	73.9	108	31.8	186	29.5	68.1	9.7	7.9	293	107	126
12	2038763	6.3	51.6	82.6	119	35.1	197	32.8	76.2	9.7	7.9	311	114	126
17	2038786	10.8	60.5	98.6	146	41.4	217	38.9	91.9	12.7	7.9	349	132	160
25	2038621	17.5	73.2	127	178	50.8	242	46.7	107	12.7	9.7	393	151	176
35	2038809	23.3	82.6	146	197	57.9	264	52.8	122	12.7	9.7	431	167	176
55	2038832	49	105	184	266	70.6	320	69.1	148	12.7	9.7	527	207	217
85	2038878	71	127	200	330	83.3	361	79.2	165	12.7	12.7	600	238	217

6:1 Design Factor. Maximum Proof Load is 2 times the Working Load Limit.

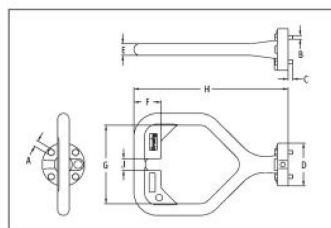




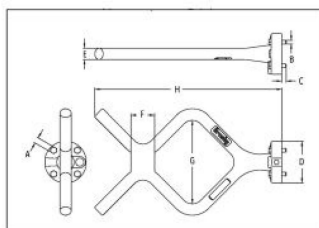
ROV



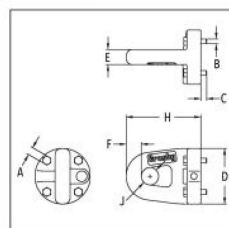
"D" Handle



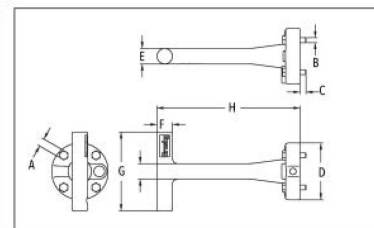
"F" Handle



"Eye" Handle



"T" Handle



- New Interchangeable handles for ROV shackle bolts.
- For use with G-2100 and G-2110 ROV shackles only.
- Handles are stainless steel and painted fluorescent orange.
- "D" and "F" handle kits available containing handle, retaining bolts, and individual packet of Loctite for easy installation.

G-42100H ROV Handles

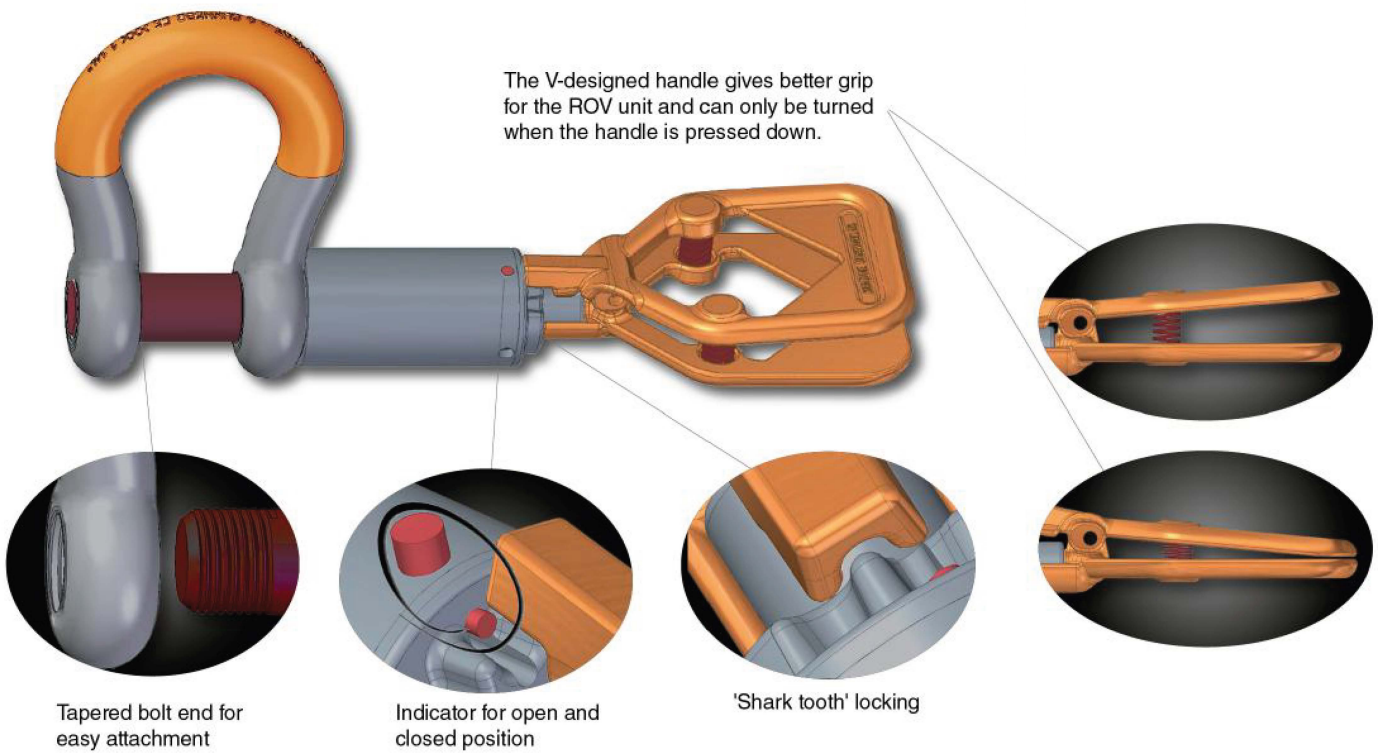
Handle Style	Stock No.	Weight Each (kg)	Dimensions (mm)									
			A	B	C	D	E	F	G	H	J	K
D	1021324	10.0	7.1	6	7.4	70.0	19.1	44.5	128	251	19.1	–
F	1021315	11.1	7.1	6	7.4	70.0	19.1	44.5	140	312	–	–
T	1021306	5.4	7.1	6	7.4	70.0	19.1	19.1	97	157	–	19.1
Eye	1021333	4.7	7.1	6	7.4	70.0	19.1	19.1	–	93.7	21.8	–

8



## ROV Shackles

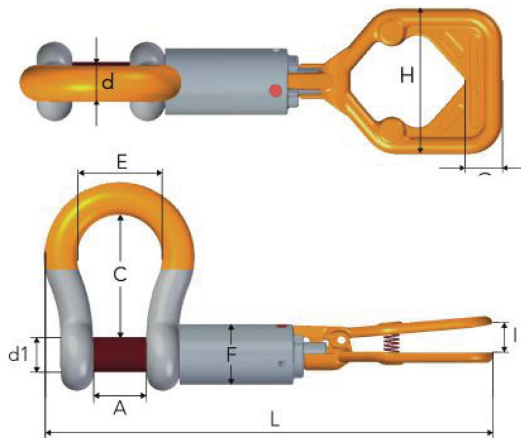
The ROV Retrieve Shackle is designed for smooth and easy use in retrieving and releasing subsea lifting and rigging operations. It has no loose parts in closed or opened position. Therefore there is no need for wires or monkey fists. The high visibility handles are close-die forged and has double safety functions. The shark tooth locking with indicator that will show if the shackle is in open or locked position as well as the spring loaded handle. The handle is the same size, regardless of size of shackle. The ROV Retrieve Shackle No. 861 is an easy to operate shackle, saving valuable time and money.



### ROV Retrieve Shackle No 861

All shackles have unique markings.

- Dim. according to EN 13889
- High tensile steel, Quenched & Tempered
- All load bearing parts hot-dip galvanized
- 6:1 Design Factor
- Test certificate and traceable 3.1 certificate supplied upon request.
- Temperature: -40°C to 200°C

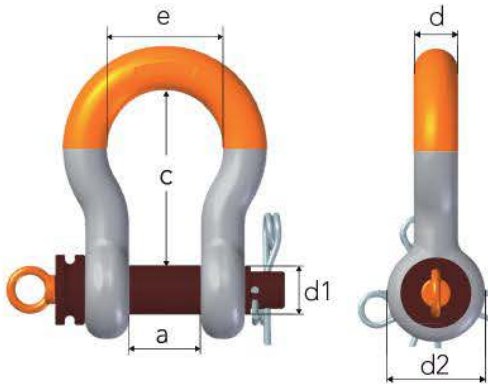


Stock No.	WLL (t)	Dimensions (mm)										Weight (kg)
		d1	d	A	C	E	F	L	I	H	G	
A086128	9.5	32	28	46	108	74	60	440	31	132	33	6.5
A086132	12.0	35	32	52	119	83	60	460	31	132	33	8.0
A086138	17.0	42	38	60	146	98	63.5	501	31	132	33	10.0
A086145	25.0	50	45	74	178	127	70	565	31	132	33	15.7
A086152	35.0	57	50	83	197	138	76	604	31	132	33	20.0
A086164	55.0	70	65	105	260	180	88	712	31	132	33	42.0
A086176	85.0	83	84	133	330	190	108	745	31	132	33	78.3



ROV

ROV Release Shackle No 863



- Equipped with bolt and two locking pins
- Dim. according to EN 13889
- High tensile steel, Quenched & Tempered
- All load bearing parts hot-dip galvanized
- 5:1 Design Factor
- Test certificate and traceable 3.1 certificate supplied on request.
- Temperature: -40°C to 200°C



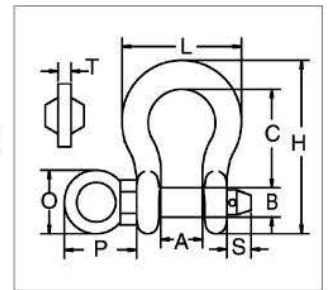
Stock No.	WLL (t)	Dimensions (mm)						Weight (kg)
		d1	d	a	c	d2	e	
A086322	6.5	25	22	37	84	52	58	1.6
A086328	9.5	32	28	46	108	64	74	3.4
A086332	12.0	35	32	52	119	72	83	5.0
A086338	17.0	42	38	60	146	84	98	7.8
A086345	25.0	50	45	74	178	105	127	13.9
A086352	35.0	57	50	83	197	127	138	17.0
A086364	55.0	70	65	105	260	152	180	37.0

8

G-209R



- Capacities from 6.5t through 55t.
- Forged steel, Quenched & Tempered, with alloy pins.
- Working Load Limit permanently shown on every shackle.
- Fatigue rated.
- QUIC-CHECK® deformation and angle indicators forged on the bow.
- All ROV shackle bows are galvanized, then painted fluorescent yellow.
- Look for the Red Pin®... the mark of genuine Crosby quality.



G-209R Subsea Shackles

Working Load Limit (t)*	Stock No.	Weight Each (kg)	Dimensions (mm)								
			A +/- .25	B	C	H	L	O	P	S	T
6.5	1020872	1.69	36.6	25.4	84	148	102	50	58	17	10
8.5	1020902	2.59	42.9	28.7	95.5	167	119	50	61	18	10
9.5	1020932	3.77	46.0	31.8	108	190	131	70	83	18	12
12	1020952	5.02	51.5	35.1	119	210	146	70	84	23	12
13.5	1020972	6.65	57.0	38.1	133	233	162	75	91	23	15
17	1020992	8.58	60.5	41.4	146	254	175	75	93	24	15
25	1021102	14.1	73.0	51.0	178	313	225	90	114	29	17.5
35	1021125	21.4	82.5	57.0	197	348	253	106	132	30	20
55	1021158	42.8	105.0	70.0	267	453	327	120	145	45	25

5:1 Design Factor. Maximum Proof Load is 2.0 times the Working Load Limit.

